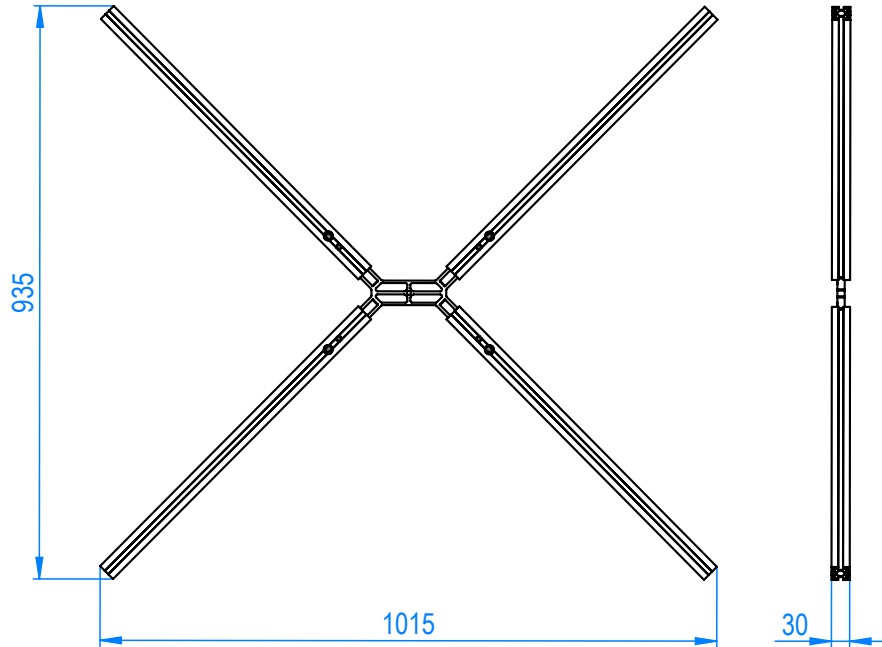



Floor Stand



Mod.							Raw Dim.	Mass		4.0
Number							Material	-		Code:
Date							Part Class	Hergestellt / MANUFACTURED		
Modifier							Customer/Project	Name:	Date:	
Number							Drawn:	DTR	drawed date	
Date							Chk/Apr.:	Aprover	approved date	
Modifier							mm / kg	Status:	Draft	
Floor stand							Norm	Size:	 F&P Personal Robotics F&P Robotics AG www.fp-robotics.com	
							DIN	A3		
Doc. ID	CH	Doc. Nr. Art Nr.	91-1038	Revision:	A	Design Gr.	Scale:	1:10	Page:	1/1